

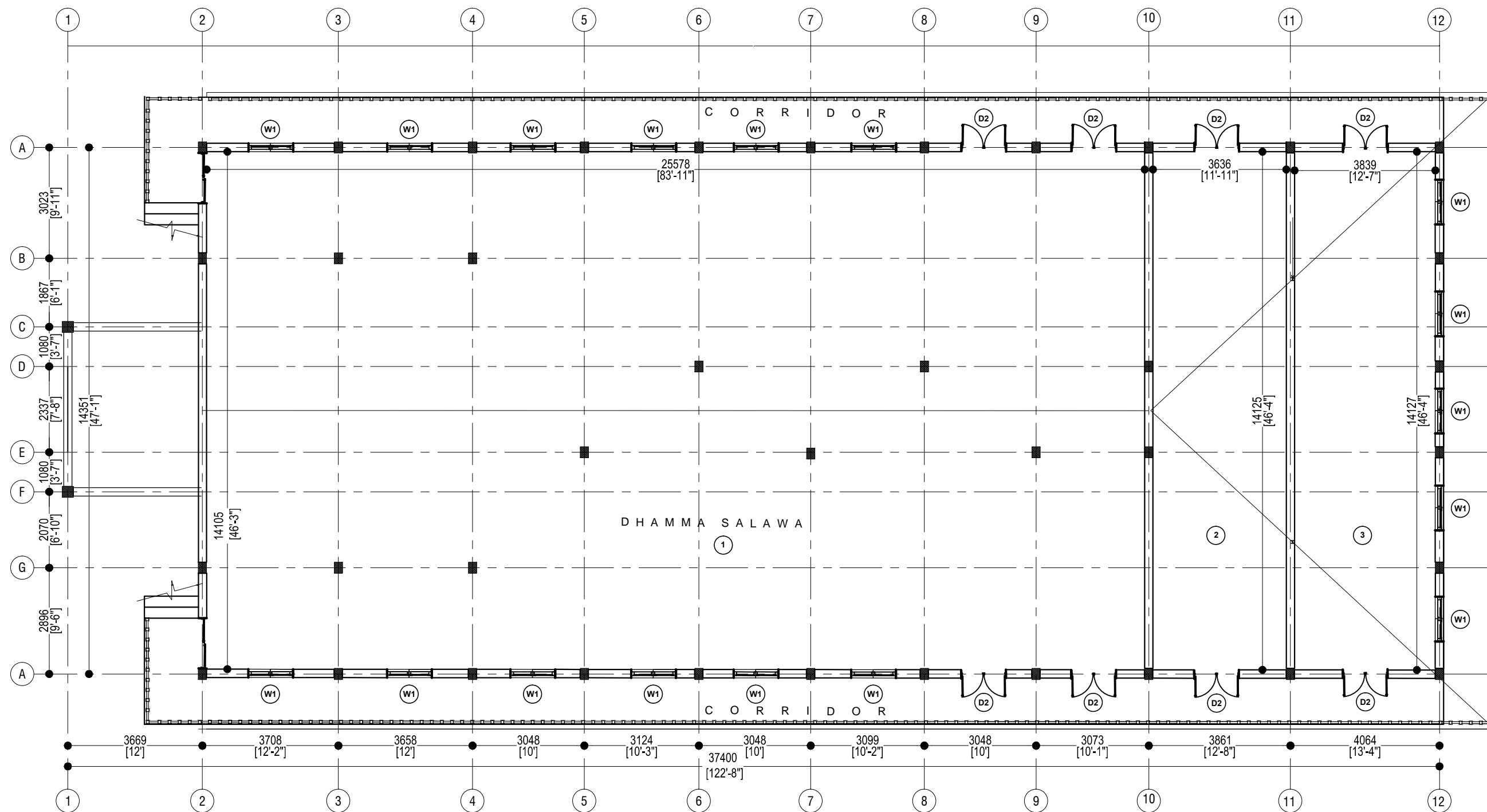
**CONSTRUCTION OF FIRST FLOOR
OF
DAMMA SALA(2ND PHASE)
AT
UNIVERSITY VIHARA,
UNIVERSITY OF PERADENIYA.**

Drawing list

	DRAWING INDEX	DRAWING NO.
01	FIRST FLOOR PLAN	ARCH/2022/CH/01
02	SIDE ELEVATION	ARCH/2022/CH/02
03	ROOF PLAN	STR/2022/CH/01
04	SECTION & ROOF PLAN	STR/2022/CH/02
05	ROOF TRUSS -01 DETAIL PLAN	STR/2022/CH/03
06	ROOF TRUSS -02 DETAIL PLAN	STR/2022/CH/04
07	C -PULING , CONCRETE ROOF BEAM & FLOOR IMPROVEMENT DETAILS	STR/2022/CH/05

Design By

**Department of Civil Engineering
Faculty of Engineering
University of Peradeniya**



1 ROOF PLAN
SCALE: 1:120

TITLE :
FIRST FLOOR PLAN

REV.	DESCRIPTION	DATE	SIGNATURE

PROJECT :
CONSTRUCTION OF FIRST FLOOR OF
DHAMMA SALA (2ND PHASE) AT
UNIVERSITY VIHARA,
UNIVERSITY OF PERADENIYA.

ARCHITECT:

DEPARTMENT OF CIVIL ENGINEERING
STRUCTURAL LABORATORY

DATE :
2022.08.10

SCALE :
As shown

DESIGN BY:

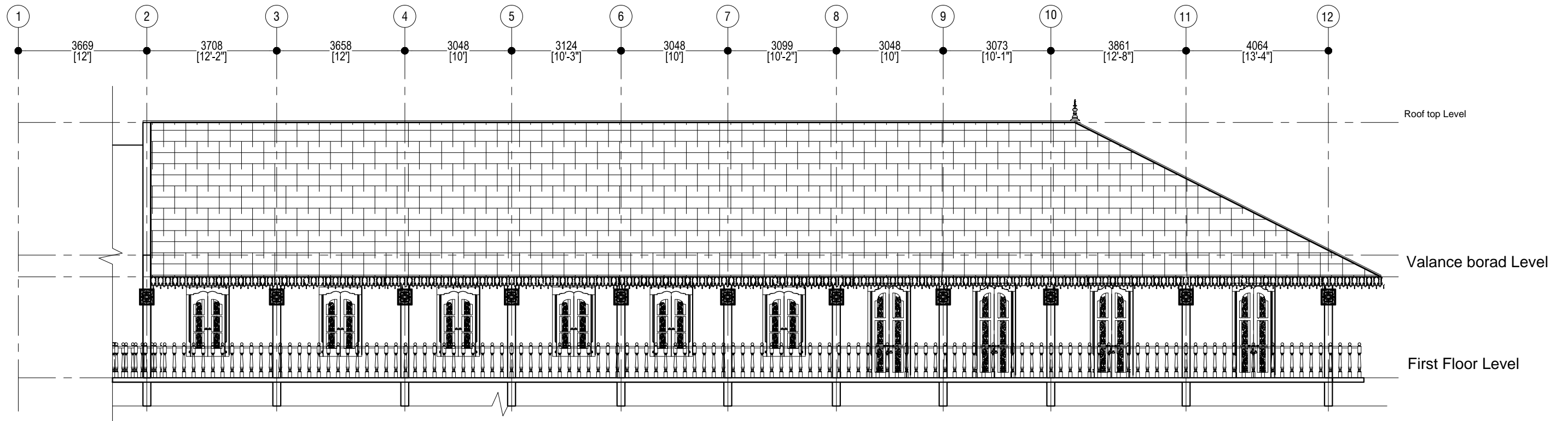
DRAWN BY:

CHECKED:

DRG. No.:

CHANNA

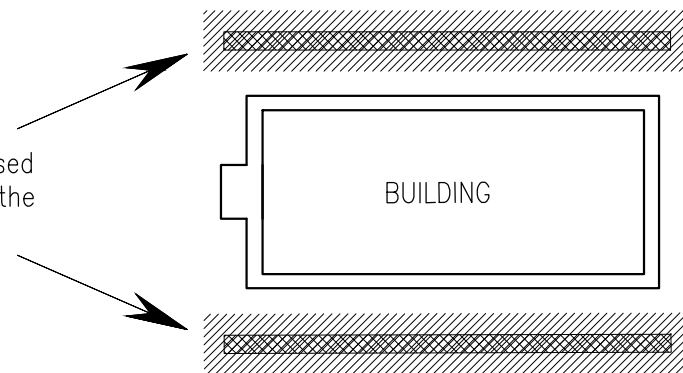
ARCH/2022/CH/01



1 SIDE ELEVATION
SCALE: 1:120

Note :-

Prior to any additional building development, it is strongly advised that the two embankments on the building structure (longitudinal direction) be stabilized.



SCHEDULE OF DOORS & WINDOWS		
TYPE	SIZE	DESCRIPTION
W1	4'-0" x 6'-6"	DECORATIVE GLAZE +TIMBER WINDOW
D1	4'-6" x 7'-6"	DECORATIVE FINISHED SLIDING DOOR ON STEEL GUARD RAIL FIXED TO WALL
D2	4'-0" x 9'-6"	DECORATIVE DOUBLE SASHED TIMBER DOOR WITH DECORATIVE GRILL ABOVE OR GLAZE +AL DOOR(OPTIONAL)

TITLE :
SIDE ELEVATION

REV.	DESCRIPTION	DATE	SIGNATURE

PROJECT :
CONSTRUCTION OF FIRST FLOOR OF DAMMA SALA(2ND PHASE) AT UNIVERSITY VIHARA, UNIVERSITY OF PERADENIYA.

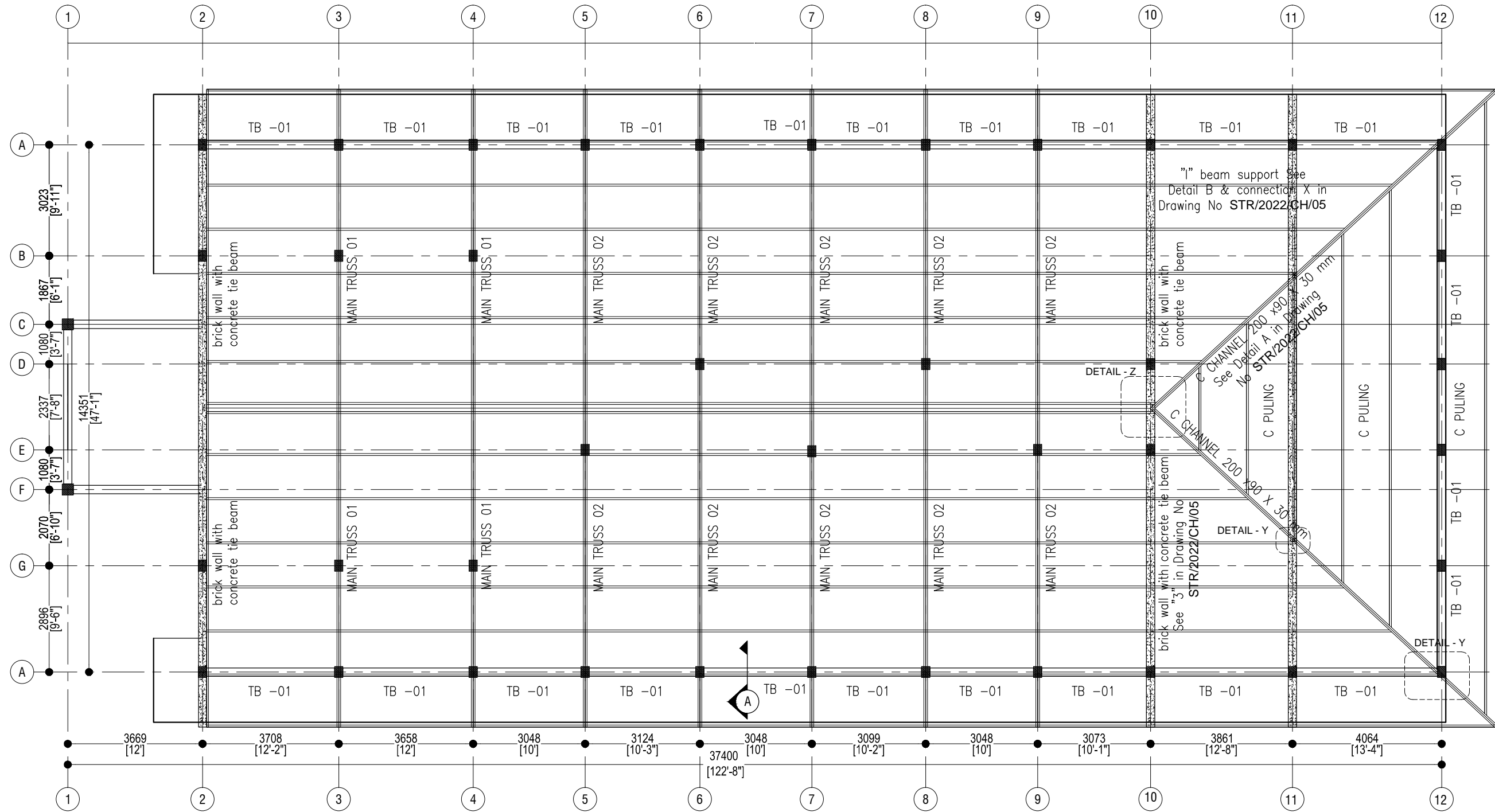
ARCHITECT:

DEPARTMENT OF CIVIL ENGINEERING
STRUCTURAL LABORATORY

DATE :
2022.08.10

SCALE :
As shown

DESIGN BY:	DRAWN BY:	CHECKED:	DRG. No.:
	CHANNA		ARCH/2022/CH/02



1 ROOF PLAN
SCALE: 1:120

TITLE :
ROOF PLAN

REV.	DESCRIPTION	DATE	SIGNATURE

PROJECT :
CONSTRUCTION OF FIRST FLOOR OF
DAMMA SALA (2ND PHASE) AT
UNIVERSITY VIHARA,
UNIVERSITY OF PERADENIYA.

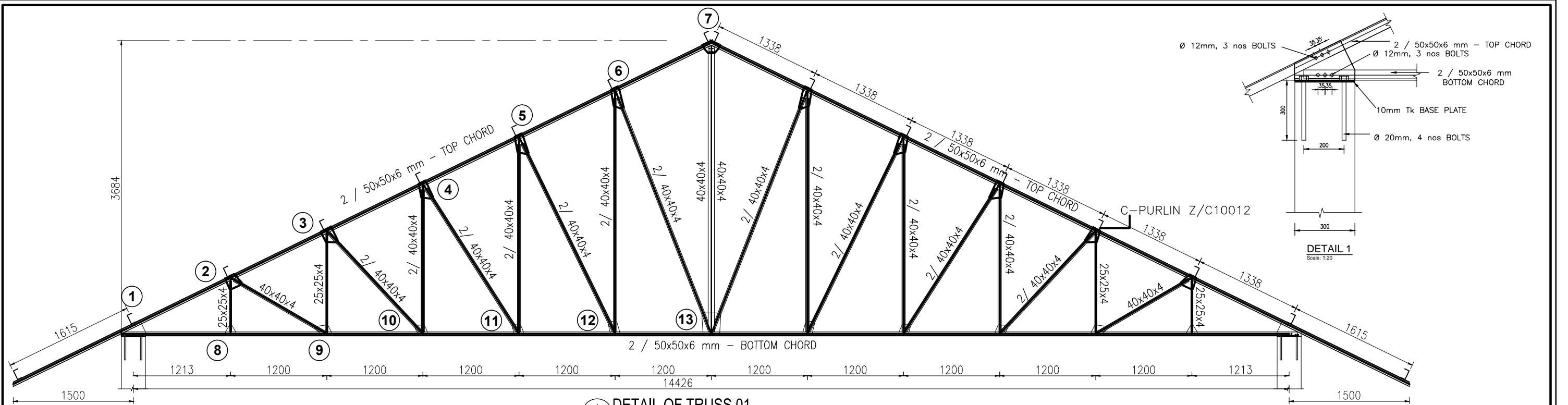
ARCHITECT:

DEPARTMENT OF CIVIL ENGINEERING
STRUCTURAL LABORATORY

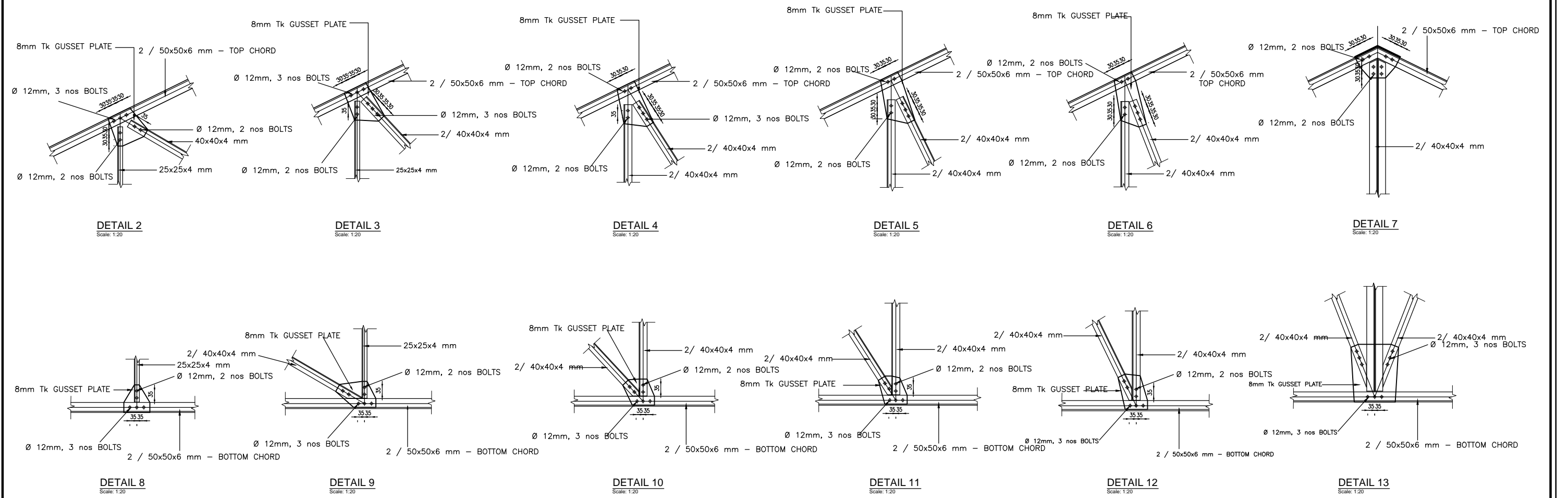
DATE :
2022.08.10

SCALE :
As shown

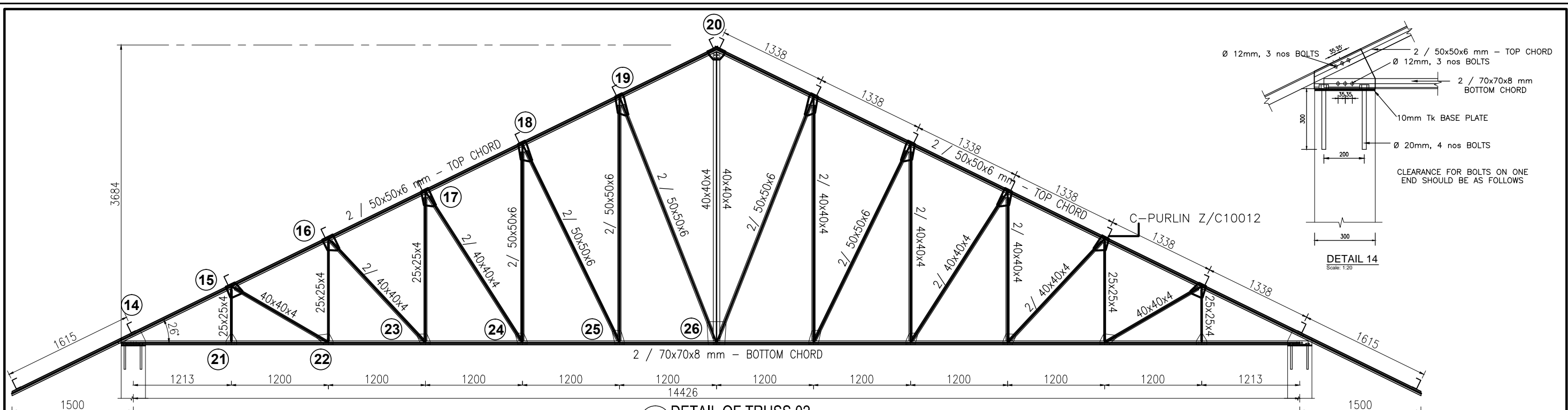
DESIGN BY:	DRAWN BY:	CHECKED:	DRG. No.:
	CHANNA		STR/2022/CH/01



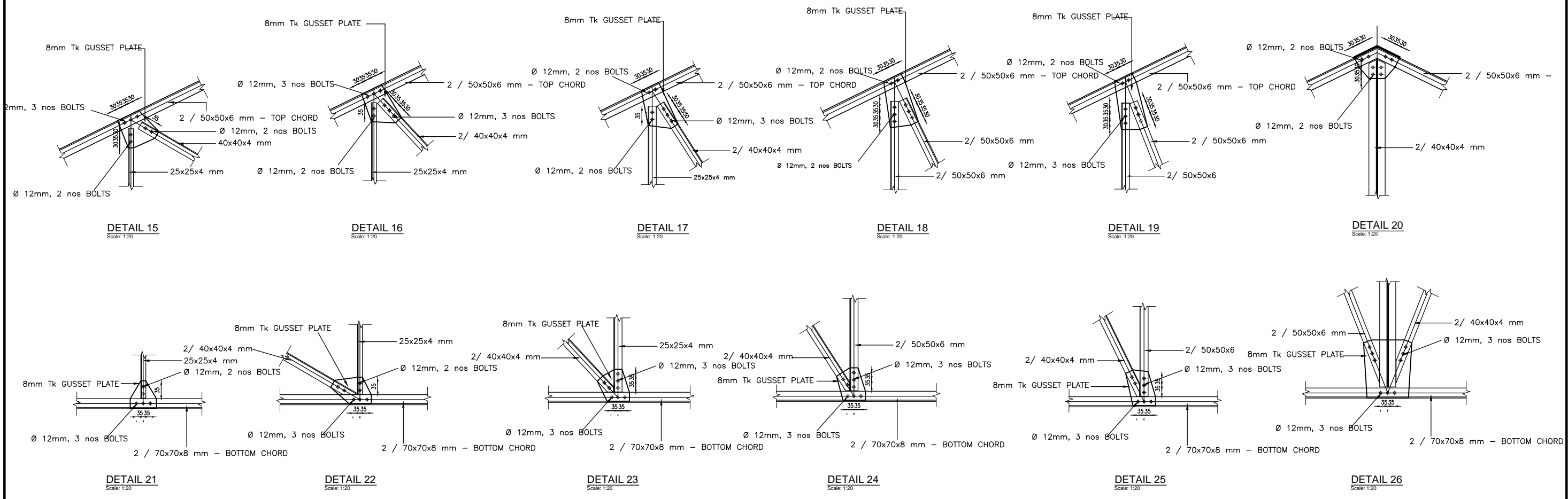
1 DETAIL OF TRUSS 01
SCALE: 1:50



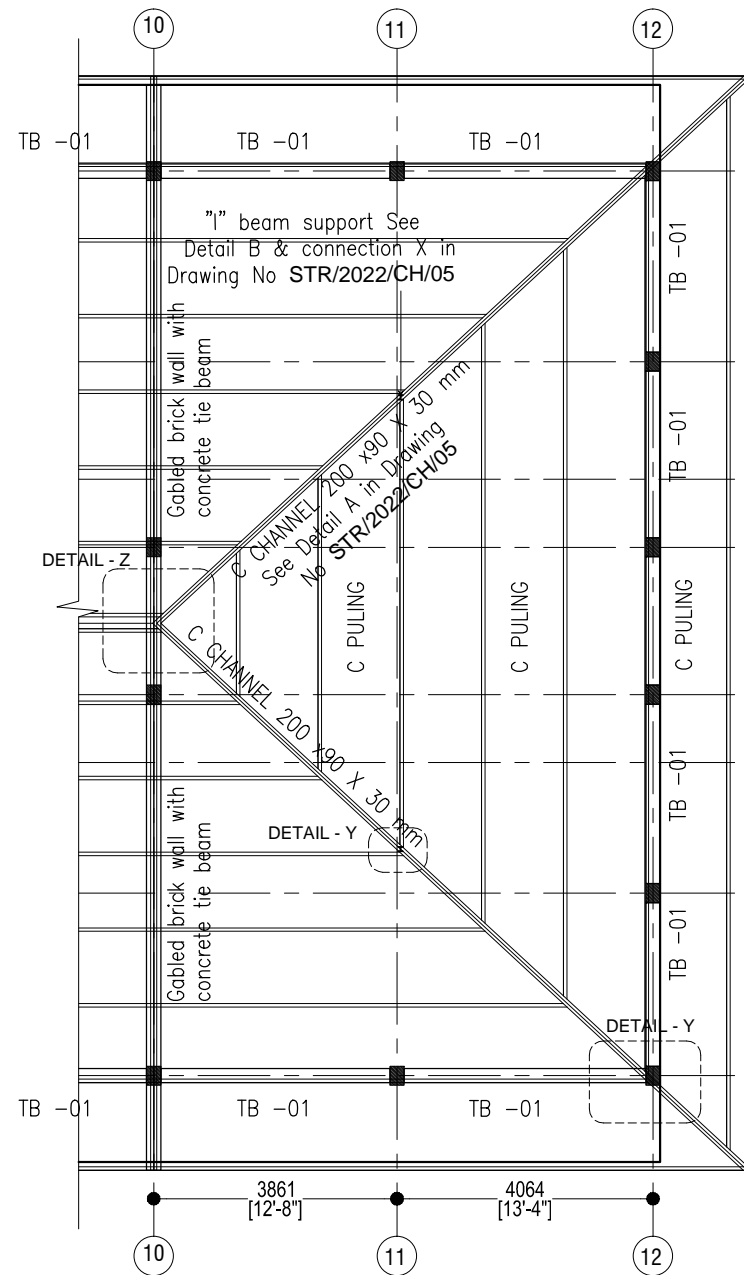
TITLE : ROOF TRUSS -01 DETAIL PLAN	REV.	DESCRIPTION	DATE	SIGNATURE	PROJECT :	DEPARTMENT OF CIVIL ENGINEERING		DATE :
					CONSTRUCTION OF FIRST FLOOR OF DAMMA SALA (2ND PHASE) AT UNIVERSITY VIHARA, UNIVERSITY OF PERADENIYA.	STRUCTURAL LABORATORY		2022.08.10
					ARCHITECT:			SCALE :
						DESIGN BY:	DRAWN BY:	CHECKED:
						CHANNA		STR/2022/CH/03



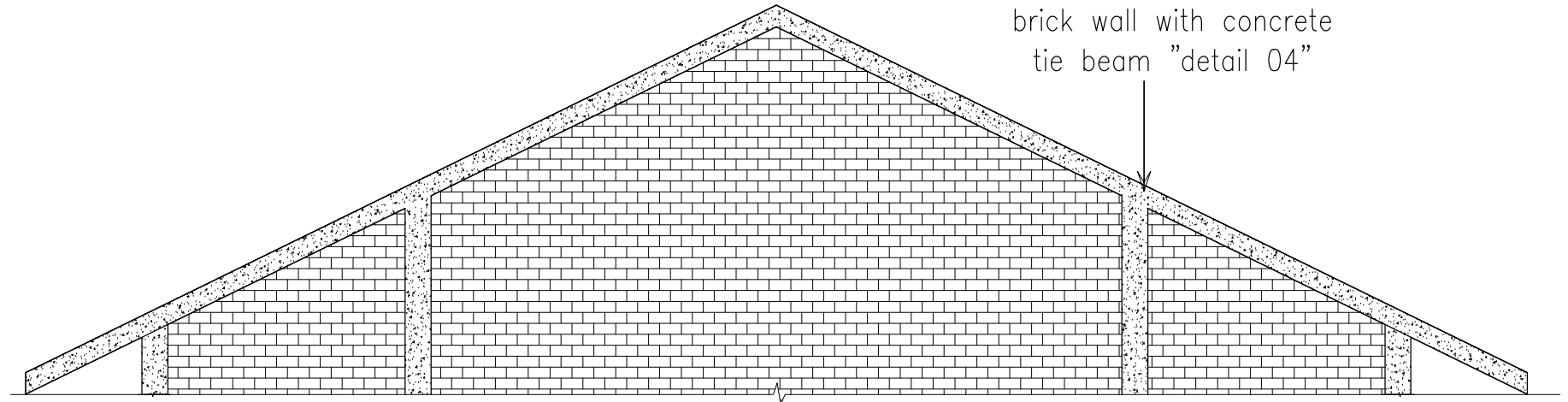
1 DETAIL OF TRUSS 02
SCALE: 1:50



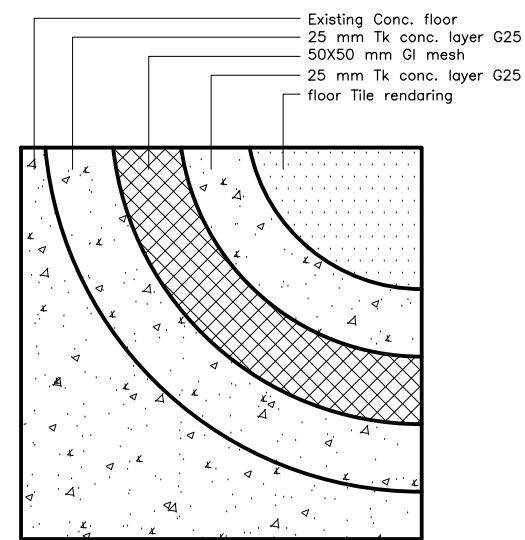
TITLE : ROOF TRUSS -02 DETAIL PLAN	REV.	DESCRIPTION	DATE	SIGNATURE	PROJECT : CONSTRUCTION OF FIRST FLOOR OF DAMMA SALA (2ND PHASE) AT UNIVERSITY VIHARA, UNIVERSITY OF PERADENIYA.	DEPARTMENT OF CIVIL ENGINEERING STRUCTURAL LABORATORY		DATE : 2022.08.10
					ARCHITECT:	DESIGN BY:	DRAWN BY: CHANNA	SCALE : As shown
						CHECKED:	DRG. No. : STR/2022/CH/04	



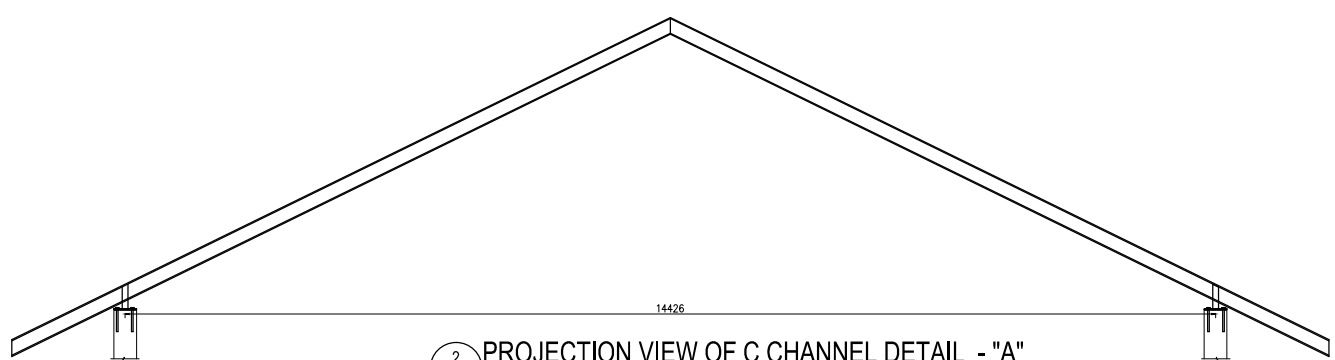
1 ROOF PLAN
SCALE: 1:120



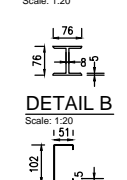
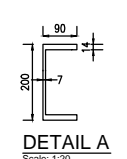
3 BRICK WALL WITH CONCRETE TIE BEAM
SCALE: 1:100



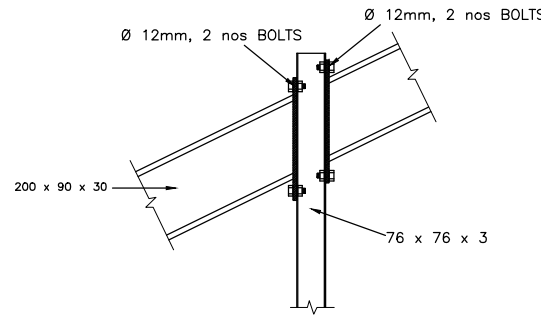
4 FLOOR CONCRETE IMPROVEMENT
SCALE: 1:20



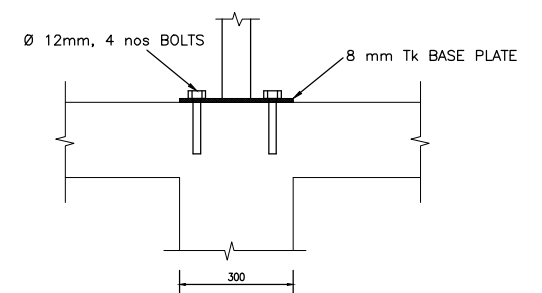
2 PROJECTION VIEW OF C CHANNEL DETAIL - "A"
SCALE: 1:100



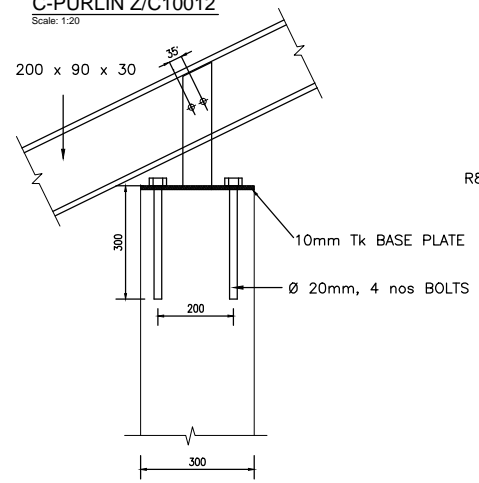
C-PURLIN Z/C10012
SCALE: 1:20



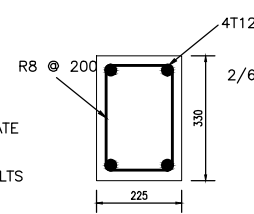
Connection X
SCALE: 1:20



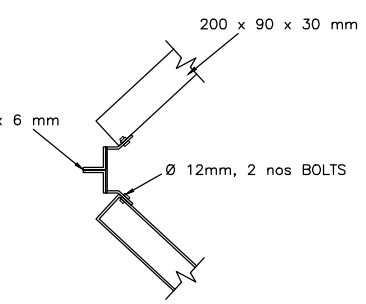
Connection to the slab
SCALE: 1:20



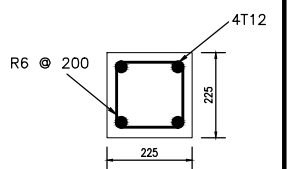
DETAIL Y
SCALE: 1:20



RC column
SCALE: 1:20



DETAIL Y
SCALE: 1:20



Roof tie beam - Detail 04
SCALE: 1:20

TITLE :
C -PULING , CONCRETE ROOF BEAM & FLOOR IMPROVEMENT DETAILS

REV.	DESCRIPTION	DATE	SIGNATURE

PROJECT :
CONSTRUCTION OF FIRST FLOOR OF DAMMA SALA (2ND PHASE) AT UNIVERSITY VIHARA, UNIVERSITY OF PERADENIYA.

ARCHITECT:

DEPARTMENT OF CIVIL ENGINEERING		DATE :
STRUCTURAL LABORATORY		2022.08.10
DESIGN BY:	DRAWN BY:	SCALE :
	CHANNA	As shown
CHECKED:	DRG. No. :	
	STR/2022/CH/05	